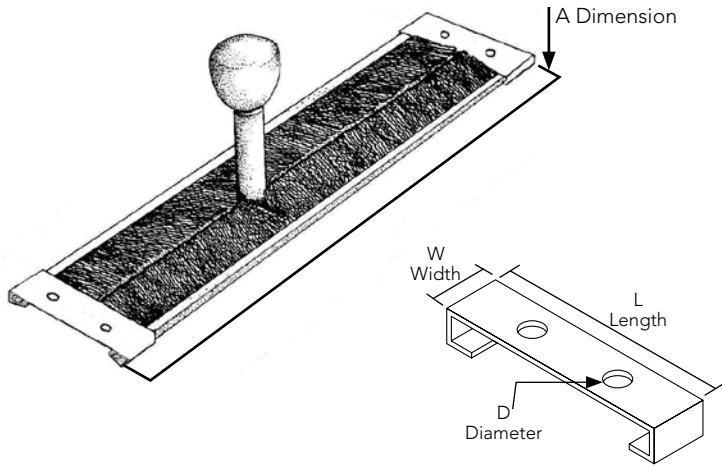


# Custom Lever Seal

Worksheet [R. 02.2015]



Contact Name: \_\_\_\_\_

Company Name: \_\_\_\_\_

Phone: \_\_\_\_\_

Fax: \_\_\_\_\_

Email: \_\_\_\_\_

## STOCK T-304 STAINLESS STEEL CLIP SPECIFICATIONS FOR STOCK LEVER SEALS

Fits Brush Channel	Length	Width	Hole Diameter	Hole Spacing
B	1.06	.316	.138	.340
C	2.46	.315	.138	.807
D	3.06	.500	.190	1.236

### Available Filament

Nylon, Horsehair, Polyester, Polypropylene, Tampico

### Available Channel Material

Galvanized Steel, Stainless Steel

### Available Clip Material

Mild Steel, Stainless Steel

## Specifications

Quantity: \_\_\_\_\_

Channel Section: \_\_\_\_\_

Channel Material: \_\_\_\_\_

Filament Material: \_\_\_\_\_

Level or Crimped: \_\_\_\_\_

Filament Diameter: \_\_\_\_\_

(A) Dimension: \_\_\_\_\_

(W) Dimension: \_\_\_\_\_

(L) Dimension: \_\_\_\_\_

(D) Dimension: \_\_\_\_\_

Clip Material: \_\_\_\_\_

Application: \_\_\_\_\_

\_\_\_\_\_  
\_\_\_\_\_

**Note:** Stock lever seal T-304 stainless steel clip assemblies are available for brushes with B, C and D channel sizes. See Stock Lever Seal worksheet (IWSLS) for details.



### CHANNEL DIMENSIONS

Section	X		Y	
	in	mm	in	mm
A	0.095	2.413	0.110	2.794
B	0.150	3.810	0.152	3.861
C	0.180	4.572	0.199	5.055
D	0.240	6.096	0.256	6.502
F	0.313	7.950	0.313	7.950
G	0.350	8.890	0.370	9.398
K	0.500	12.700	0.500	12.700