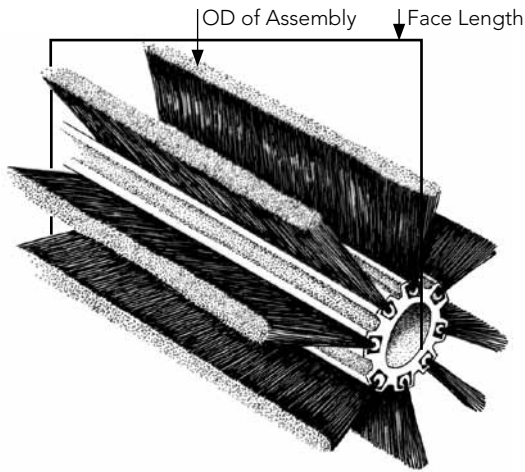


Rotary Strip Brush Assemblies

Worksheet [R. 01.2015]



Contact Name: _____

Company Name: _____

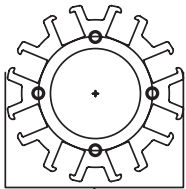
Phone: _____

Fax: _____

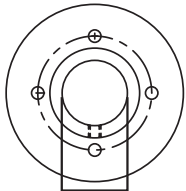
Email: _____

Series D

For mounting on 0.75 inch diameter shaft.



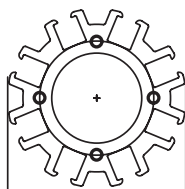
Outer Diameter (OD)
2.220 in.



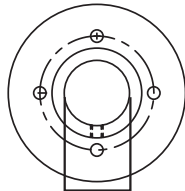
Inner Diameter (ID)
1.125 in.

Series G

For mounting on 1.00 inch diameter shaft.



Outer Diameter (OD)
2.743 in.



Inner Diameter (ID)
1.375 in.

Specifications

Quantity: _____

Annual Usage: _____

Channel Material: _____

Galvanized, T-304 S/S, Other S/S available on request

Filament Material: _____

Level or Crimped Filament: _____

Filament Diameter: _____

OD of Assembly: _____

Face Length: _____

Mandrel? _____

(requires customer drawing)

Retaining Hubs? _____

Application: _____

NOTE: Illustrations are for reference only. For an engineering print of hub and extrusion, contact a Sealeze sales representative.



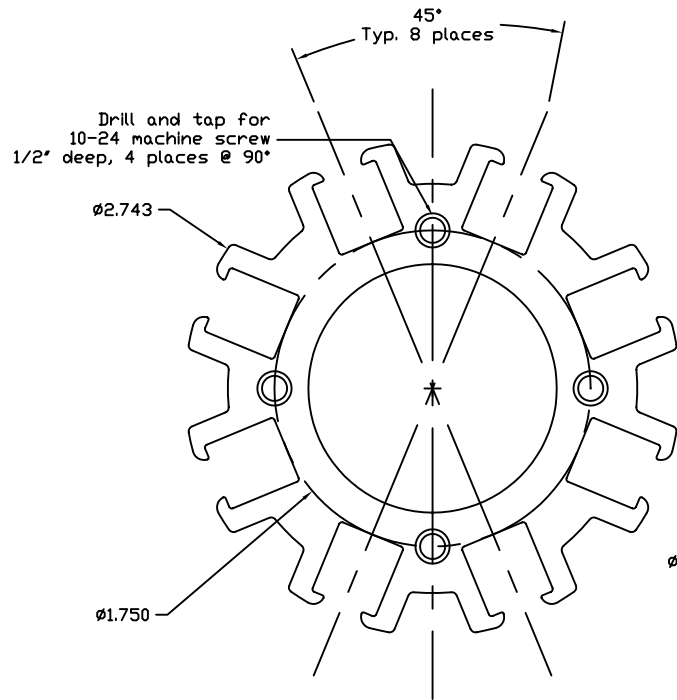
DIMENSIONS

EXTRUSION MATERIAL: Aluminum Alloy 6063 T-5

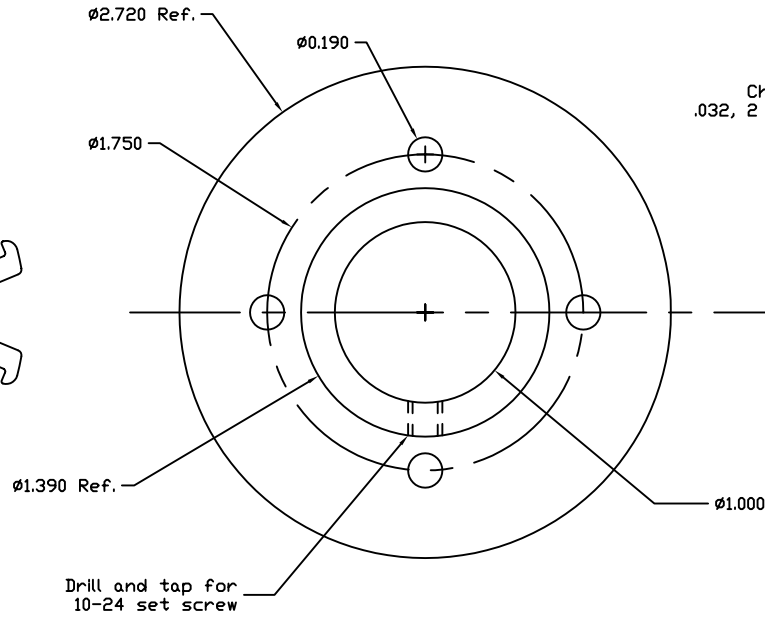
Section	CHANNEL				EXTRUSION			
	X	Y	OD	ID	X	Y	OD	ID
	in.	mm	in.	mm	in.	mm	in.	mm
D	0.240	6.096	0.256	6.502	2.220	56.388	1.125	28.575
G	0.350	8.890	0.370	9.398	2.743	69.672	1.375	34.925

Minimum Brush Assembly OD = 3.18 inches (80.77 mm)

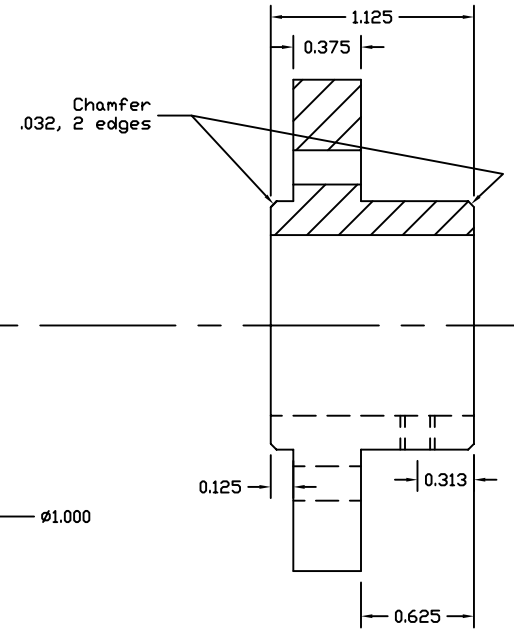
REVISIONS				
ZONE	REV	DESCRIPTION	DATE	APPROVED
	A	Changed reference to 10-24 screws and diameters	3/22/01	MZ
	B	Added instruction for set screw	5/11/01	MZ



XTG8X27CLA



HUB



NOTES:
 Hub for use with XTG8X27CLA holder.
 Hub Material: Aluminum 6061

ALL DIMENSIONS ARE IN INCHES
 UNLESS OTHERWISE SPECIFIED.

SEALEZE A Unit of Jason Incorporated

Rotary Holder Mounting Hub

DRAWN BY MZ
 CHECKED BY MP

SIZE A	FSCM NO.	DWG NO. S010029EM	REV B
SCALE None	DATE 2/28/01		

THIS DOCUMENT CONTAINS INFORMATION WHICH IS CONFIDENTIAL AND PROPRIETARY TO SEALEZE. NO DISCLOSURE, REPRODUCTION OR ANY USE OF ANY PART OF THIS DOCUMENT MAY BE MADE WITHOUT THE WRITTEN PERMISSION OF SEALEZE.

FNAME

REVDATE

USER