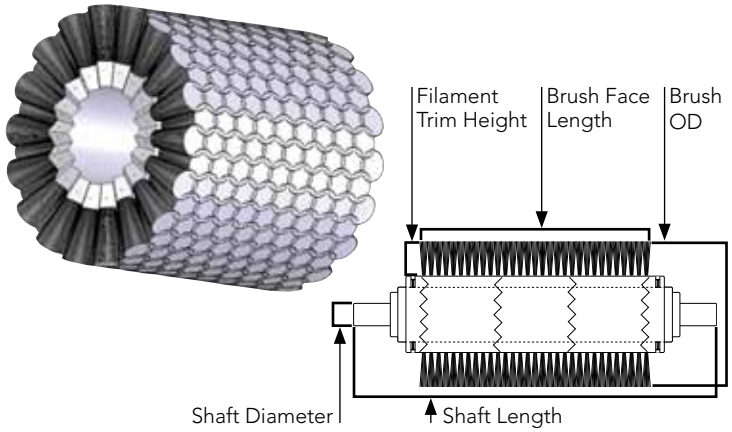


# Modular Cylinder Staple Set Brush

Worksheet [R. 01.2015]



Contact Name: \_\_\_\_\_

Company Name: \_\_\_\_\_

Phone: \_\_\_\_\_

Fax: \_\_\_\_\_

Email: \_\_\_\_\_

## Specifications

Quantity to release per order: \_\_\_\_\_

Are there drawings or sample available for reference?  Yes  No

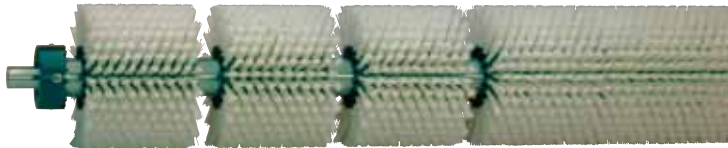
**APPLICATION** -Please be sure to identify any special factors that should be considered such as FDA approved material, temperature, moisture, chemical exposure, etc.:

\_\_\_\_\_

\_\_\_\_\_

\_\_\_\_\_

\_\_\_\_\_



3.94" Segments can be combined to create any length brush

## Brush Specifications

Sealeze Modular Cylinder Brushes are supplied in 3.94in wide individual segments that, when put together, create one long, seamless brush. Because of the modular design, any length can be achieved by using a combination of brush bodies and geared end collars. All collars include helicoil set screws for attachment to the drive shaft. Complete brush assemblies with shaft are available if requested (submit detailed drawing for quotation).

### FILAMENT/TRIM:

G. Filament trim height: \_\_\_\_\_ H. Brush OD: \_\_\_\_\_ I. Brush Face Length: \_\_\_\_\_

J. Shaft Diameter: \_\_\_\_\_ K. Shaft Length \_\_\_\_\_

Filament diameter: \_\_\_\_\_ Color: \_\_\_\_\_

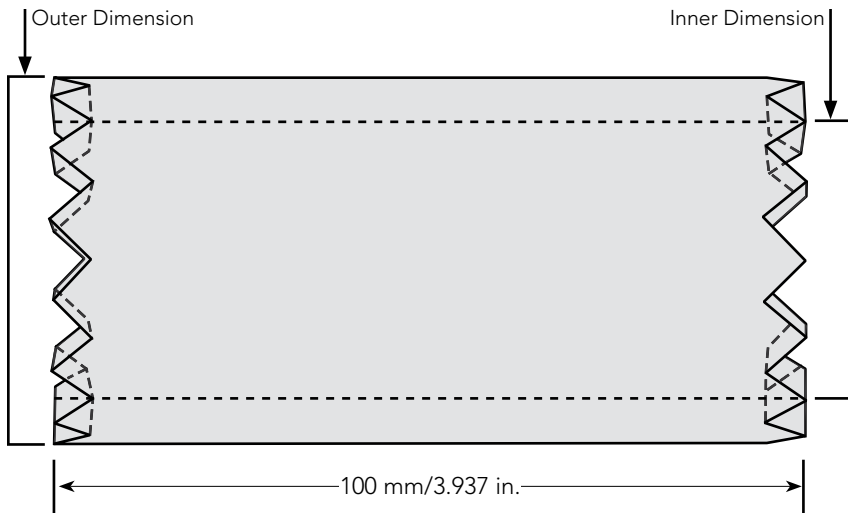
Material:  Nylon 6.0  Polypropylene  Horsehair  Other: \_\_\_\_\_

Filament Shape:  Level  Crimped



# Modular Cylinder Staple Set Brush

## Worksheet



### BODY STYLES AND SPECIFICATIONS

Selected Body Style	Body OD	Body ID	Maximum Shaft Size	No. of Gear Teeth	No. of Tufts per Row	Relative Face Density	Total Tufts (Full Face Density)	Tuft Diameter	Stock Status
<input type="checkbox"/>	1.22	0.79	0.837	6	8	Medium	96	5/32	Special Order
<input type="checkbox"/>	1.22	0.79	0.837	8	10	Heavy	160	5/32	Special Order
<input type="checkbox"/>	1.22	0.79	0.837	10	14	Extra Heavy	280	5/32	Special Order
<input type="checkbox"/>	1.77	0.98	1.034	8	7	Medium	112	5/32	Special Order
<input type="checkbox"/>	1.77	0.98	1.034	12	8	Heavy	192	5/32	Special Order
<input type="checkbox"/>	1.77	0.98	1.034	16	11	Extra Heavy	352	5/32	Special Order
<input type="checkbox"/>	2.24	1.38	1.428	10	7	Medium	140	5/32	Special Order
<input type="checkbox"/>	2.24	1.38	1.428	15	7	Heavy	210	5/32	Standard Available
<input type="checkbox"/>	2.24	1.38	1.428	18	10	Extra Heavy	360	5/32	Standard Available
<input type="checkbox"/>	2.56	1.57	1.625	12	7	Medium	168	5/32	Standard Available
<input type="checkbox"/>	2.56	1.57	1.625	17	7	Heavy	238	5/32	Standard Available
<input type="checkbox"/>	2.56	1.57	1.625	20	10	Extra Heavy	400	5/32	Standard Available
<input type="checkbox"/>	3.39	2.36	2.412	12	7	Medium	168	7/16	Special Order
<input type="checkbox"/>	3.39	2.36	2.412	20	8	Heavy	320	7/16	Standard Available
<input type="checkbox"/>	3.39	2.36	2.412	30	10	Extra Heavy	600	7/16	Standard Available
<input type="checkbox"/>	3.94	2.95	3.003	14	7	Medium	196	7/16	Special Order
<input type="checkbox"/>	3.94	2.95	3.003	18	8	Heavy	288	7/16	Standard Available
<input type="checkbox"/>	3.94	2.95	3.003	22	10	Extra Heavy	440	7/16	Standard Available
<input type="checkbox"/>	4.92	3.94	3.987	18	6	Medium	216	7/16	Special Order
<input type="checkbox"/>	4.92	3.94	3.987	24	8	Heavy	384	7/16	Standard Available
<input type="checkbox"/>	4.92	3.94	3.987	28	10	Extra Heavy	560	7/16	Standard Available

Other patterns such as spiral and chevron are available— contact your Sealeze representative.