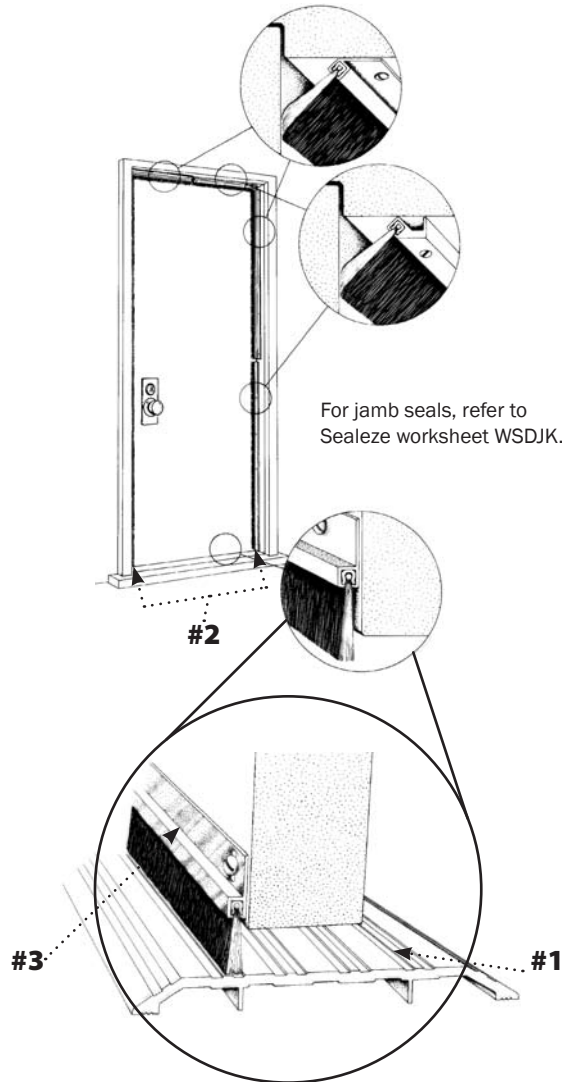


Door Sweep

WORKSHEET
WSDS.0909



Contact Name: _____

Company Name: _____

Phone: _____

Fax: _____

Email: _____

#1. Measure the gap between the bottom of the door and the door threshold (indicate inches or millimeters): _____

#2. Measure the width of the door bottom (indicate feet or meters): _____

#3. Determine what color or finish you want for the brush holder (gold, silver, dark brown).

#4. Select the proper Door Sweep Kit Product Number and quantity. _____

8000 Whitepine Road
Richmond, VA 23237

phone: 804-743-1218
fax: 804-743-3413

toll free
phone: 800-446-7325
fax: 800-448-2908



weatherseal@sealeze.com
www.sealeze.com

Product Code	#3. Holder Color	#2. Bottom Width		#1. Gaps Up To	
		ft.	m	in.	mm
B210CLA05BL3	clear (silver)	3.000	0.9144	0.500	12.700
B210CLA05BL3.5	clear (silver)	3.500	1.0668	0.500	12.700
B210CLA05BL4	clear (silver)	4.000	1.2192	0.500	12.700
B210DUR05BL3	dark brown	3.000	0.9144	0.500	12.700
B210DUR05BL3.5	dark brown	3.500	1.0668	0.500	12.700
B210DUR05BL4	dark brown	4.000	1.2192	0.500	12.700
C380CLA06BL3	clear (silver)	3.000	0.9144	0.563	14.288
C380CLA06BL3.5	clear (silver)	3.500	1.0668	0.563	14.288
C380CLA06BL4	clear (silver)	4.000	1.2192	0.563	14.288
C380DUR06BL3	dark brown	3.000	0.9144	0.563	14.288
C380DUR06BL3.5	dark brown	3.500	1.0668	0.563	14.288
C380DUR06BL4	dark brown	4.000	1.2192	0.563	14.288
D480CLA09BL3	clear (silver)	3.000	0.9144	1.000	25.400
D480CLA09BL3.5	clear (silver)	3.500	1.0668	1.000	25.400
D480CLA09BL4	clear (silver)	4.000	1.2192	1.000	25.400
D480DUR09BL3	dark brown	3.000	0.9144	1.000	25.400
D480DUR09BL3.5	dark brown	3.500	1.0668	1.000	25.400
D480DUR09BL4	dark brown	4.000	1.2192	1.000	25.400



Sealeze Nylon Therm-L-Brush®
up to 4 in. long are UL labeled
for use on 3-hour fire doors.