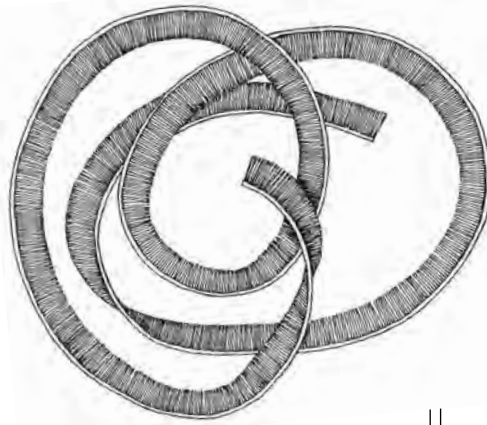
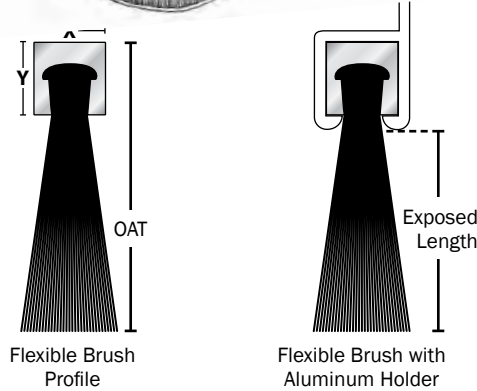


Ez-Flex™ Strip Brush



WORKSHEET
IWFBM.0111
[metric]



Due to the nature of extruded plastic materials, please note the dimensional tolerances and take these into consideration when incorporating these products into your design.

**Please feel free to contact us for assistance.
804-743-0982 | 800-787-7325
industrial@sealeze.com**

Ez-Flex is available with other filament diameters. Please ask your sales representative for details. Standard brush material is Nylon (code BL). Polypropylene (code BP) is available. Crimped filament is also available on select sizes (call for details). FDA approved filament and backing are available; ask your sales representative about FDA approved materials for nylon and polypropylene Ez-Flex brushes. Ez-Flex flexible strip brush can be provided in continuous lengths in rolls (typically 100 feet) or as individual strips cut to your specifications.

All measurements in millimeters unless indicated.

SEALEZE STANDARD FLEXIBLE STRIP BRUSH*

Section	Nylon Product Code	PolyPro Product Code	Standard Filament Diameter	Dimensions ± 0.25		OAT ± 0.38	Exposed Length ± 0.38	Standard Continuous Length (meters)
				X	Y			
A	FXA102BL	not available	0.15	2.41	2.54	10.16	05.59	30.5
A	FXA104BL	not available	0.15	2.41	2.54	14.99	10.41	30.5
A	FXA108BL	not available	0.15	2.41	2.54	23.62	19.05	30.5
A	FXA110BL	not available	0.15	2.41	2.54	29.97	25.40	30.5
C	FXC106BL	FXC206BP	0.15	4.57	5.08	22.10	15.75	30.5
C	FXC110BL	FXC210BP	0.15	4.57	5.08	32.51	26.16	30.5
D	FXD109BL	FXD209BP	0.20	5.84 [†]	6.22	31.50	23.62	30.5
D	FXD112BL	FXD212BP	0.20	5.84 [†]	6.22	37.85	29.97	30.5
D	FXD116BL	FXD216BP	0.31	5.84 [†]	6.22	48.51	40.64	30.5
D	FXD120BL	FXD220BP	0.31	5.84 [†]	6.22	58.42	50.55	30.5
D	FXD130BL	FXD230BP	0.31	5.84 [†]	6.22	83.82	75.95	30.5

* Ez-Flex strip brush will fit in Sealeze aluminum holders. Please visit our website at sealeze.com/holders.htm for complete information.

[†] Tolerance ± 0.51

Contact Name: _____

Company Name: _____

Phone: _____

Fax: _____

Email: _____

Annual Usage (total meters)*: _____

Product Code: _____

Filament Material: _____

Level or Crimped: _____

Filament Diameter: _____

Application: _____

* See reverse for Ez-Flex strip brush **with Integrated Holder Worksheet.**

8000 Whitepine Road
Richmond, VA 23237

phone: 804-743-0982
fax: 804-743-3413

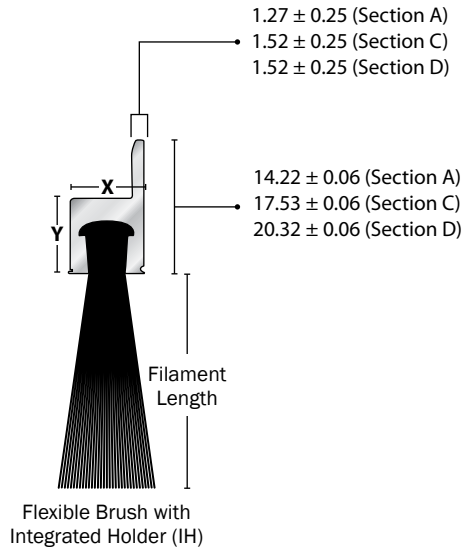
toll free
phone: 800-787-7325
fax: 800-448-2908



industrial@sealeze.com
www.sealeze.com

Ez-Flex™ Strip Brush with Integrated Holder

WORKSHEET
IWFBM.0111
[metric]



Due to the nature of extruded plastic materials, please note the dimensional tolerances and take these into consideration when incorporating these products into your design.

**Please feel free to contact us for assistance.
804-743-0982 | 800-787-7325
industrial@sealeze.com**

Contact Name: _____

Company Name: _____

Phone: _____

Fax: _____

Email: _____

Annual Usage (total meters)*: _____

Product Code: _____

Filament Material: _____

Level or Crimped: _____

Filament Diameter: _____

Application: _____

* See reverse for Ez-Flex strip brush **without** Integrated Holder Worksheet.

Ez-Flex is available with other filament diameters. Please ask your sales representative for details. Standard brush material is Nylon (code BL). Polypropylene (code BP) is available. Crimped filament is also available on select sizes (call for details). FDA approved filament and backing are available; ask your sales representative about FDA approved materials for nylon and polypropylene Ez-Flex brushes. Ez-Flex flexible strip brush can be provided in continuous lengths in rolls (typically 100 feet) or as individual strips cut to your specifications.

All measurements in millimeters unless indicated.

SEALEZE STANDARD FLEXIBLE STRIP BRUSH WITH INTEGRATED HOLDER ‡ (Minimum Order Required)							
Section	Nylon Product Code	PolyPro Product Code	Standard Filament Diameter	Dimensions ± 0.25		Exposed Length ± 0.38	Standard Continuous Length (meters)
				X	Y		
A	FXA80IH02BL	not available	0.15	3.81	3.81	05.59	30.5
A	FXA80IH04BL	not available	0.15	3.81	3.81	10.41	30.5
A	FXA80IH06BL	not available	0.15	3.81	3.81	15.24	30.5
A	FXA80IH08BL	not available	0.15	3.81	3.81	19.05	30.5
A	FXA80IH10BL	not available	0.15	3.81	3.81	25.40	30.5
C	FXC80IH06BL	FXC80IH206BP	0.15	4.57	4.83	15.75	30.5
C	FXC80IH10BL	FXC80IH210BP	0.15	4.57	4.83	26.16	30.5
D	FXD80IH09BL	FXD80IH209BP	0.20	5.59	6.35	23.62	30.5
D	FXD80IH12BL	FXD80IH212BP	0.20	5.59	6.35	29.97	30.5
D	FXD80IH16BL	FXD80IH216BP	0.31	5.59	6.35	40.64	30.5
D	FXD80IH20BL	FXD80IH220BP	0.31	5.59	6.35	50.55	30.5
D	FXD80IH30BL	FXD80IH230BP	0.31	5.59	6.35	75.95	30.5

‡ For integrated holders, exposed length equals filament length.

8000 Whitepine Road
Richmond, VA 23237

phone: 804-743-0982
fax: 804-743-3413

toll free
phone: 800-787-7325
fax: 800-448-2908



industrial@sealeze.com
www.sealeze.com